



XRS 4900

USER MANUAL

REDEFINING TV

1 PACKAGE CONTENTS



XRS4900
Device



HDMI
Cable



Remote
Control



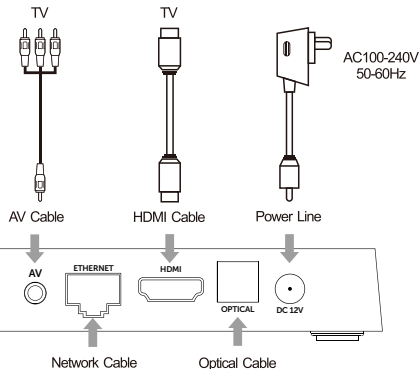
Power
Adaptor

2 CONNECTION

AV Connection

a. Connect the AV cable of the 3 color (red/ white/yellow) to the XRS4900's AV output interface, and the other end to the TV's AV input interface. Connection can be made by colour.

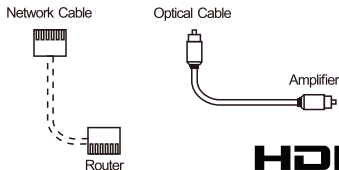
b. Power on the XRS4900. Set the TV video mode to AV input.



HDTV Connection

a. Connect HDMI cable to the XRS4900's output interface, and the other end to the TV's HDMI input interface.

b. Power on the XRS4900. Set the TV video mode to HDTV input.



3 INSTALLATION STEPS

1. Connect XRS4900 TV Box to the power supply.
2. Connect XRS4900 to your TV with an HDMI Cable or AV Cable.
3. For a wired connection, plug-in an Ethernet cable from the TV Box to your modem or router. For wireless, choose your Wi-Fi network and input your Wi-Fi password.

4 TROUBLESHOOTING

Warning: Under no circumstances should you try to repair the XRS4900 by yourself, as this will invalidate the warranty. Do not open it as there is a risk electrical shock. If any fault occurs, please first check with this troubleshooting checklist. If you are unable to remedy a problem by following this guide, contact your dealer for help.

Problem	Solution
No Power	<ul style="list-style-type: none">• Check if the power adapter is properly connected to the power and the TV box• Press the power on the remote controller to turn on the power
No Picture	<ul style="list-style-type: none">• Re-Connect the HDTV cable or AV cable• Check if the TV is powered on
No sound or distorted sound	<ul style="list-style-type: none">• Adjust the volume• Check that the speakers are connected correctly
The TV box does not respond to the remote control	<ul style="list-style-type: none">• Aim the remote control directly at the sensor on the front of the TV box• Reduce the distance to the TV box• Replace batteries in the remote control• Possibility of system crash, disconnect and reconnect the power supply
No sound during playback	<ul style="list-style-type: none">• The audio codec may not be supported by the TV box• Check the volume
The contents of the USB or flash drive cannot be read	<ul style="list-style-type: none">• The USB or flash drive format is not compatible with the box• If one of the USB can not be read, please turn off the TV box for 30 seconds and restart the TV box
Slow operation of the USB flash drive	<ul style="list-style-type: none">• Large file size or high resolution USB flash drive takes longer time to read and display on the TV screen
The TV screen is blank and the player LED is blinking	<ul style="list-style-type: none">• Turn off the TV box, wait 30 seconds and turn on again• Check if HDTV connection is correct or try changing the HDTV cable

5 REMOTE + BUTTON LIST



- TV Power Button
- STB - Standby. Power ON/OFF
- ↔ Source
- VOL+ Source Volume + / Volume -
- ★ FAVES Favourite Channels
- ☰ CATEGORY To view categories when in Live TV/EPG/TV Series/VOD Menus
- 🔍 Search
- ⏮ Rewind
- ⏸ Play/Pause
- ⏭ Fast Forward
- REC Record
- Stop
- ⚙️ Server Settings
- 📺 VOD Video On Demand
- 📺 TV Series
- 📺 PVR Personal Video Recorder
- ☰ Menu
- ↶ Back
- ⏮ Arrow Keys / OK
- ℹ️ Information
- ⏪ Last Channel
- LIVE TV Live TV
- 🏠 Home
- GUIDE Guide
- VOL Volume - Up (+) / Down (-)
- 👉 Pointer
- 🔇 Mute
- CH Channel - Up (+) / Down (-)
- 0-9 Number Pad
- PG ↓ Page Down PG ↑ Page Up
- Red Button
- Green Button
- Yellow Button
- Blue Button

Learning Remote Feature

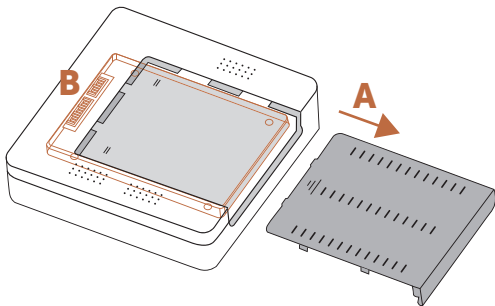
Learning methods please see as below:

1. Long Press the "TV Power" + "Source" keys on the RCU at the same time for 3 seconds until the Blue LED turns solid Blue.
The RCU has now entered learning mode.
2. Press the key on the RCU to be programmed, for example "TV Power" Key, the Blue LED will start blinking.
3. Aim the TV RCU that you want to learn from towards the front of the RCU (Distance less than 3cm).
Press the button on the TV RCU that you want the BT-100 RCU remote to learn from. If the BT100 RCU is programmed correctly the Blue LED on the BT-100 \ RCU will blink 3 times then turn solid Blue.
This will indicate that you have programmed it properly.
4. Repeat Steps 2-3 for the "Source" button.
5. Short press "TV Power" key + "Source" key at the same time on the BT-100 RCU to exit learning remote.

7 SATA DRIVE (Optional)

Installing Sata Drive:

1. Remove bottom plate (A)
2. Orientate the 2.5 Sata connectors (B) to the corresponding connector on the XRS4900 and attach
3. Replace bottom plate



7 LIGHTS & INDICATORS

Lighting on Front of XRS4900 indicates the following:



Blue light - Unit is on



Red light - Unit is off

8 PAIRING RCU (REMOTE) AND XRS4900

How to put RCU into Pairing Mode for BT

Press "OK" + "VOL -" for 3 seconds until Red LED "breathing on". RCU enters pairing mode. Device name is BuzzTV BT-100. You will need to have the STB searching for BT in order to fully pair the remote.

How to turn the Back lit Feature On/Off

Long press the blue button on the bottom right of the remote for 5+ seconds. This will turn the back lit feature on/off (illuminates for approximately 5 seconds when on).

9 WARRANTY INFORMATION

For warranty information and registration, please visit:
www.buzztv.com/register

www.buzztv.com/support
cs@buzztv.com